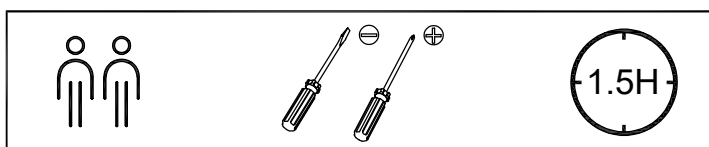
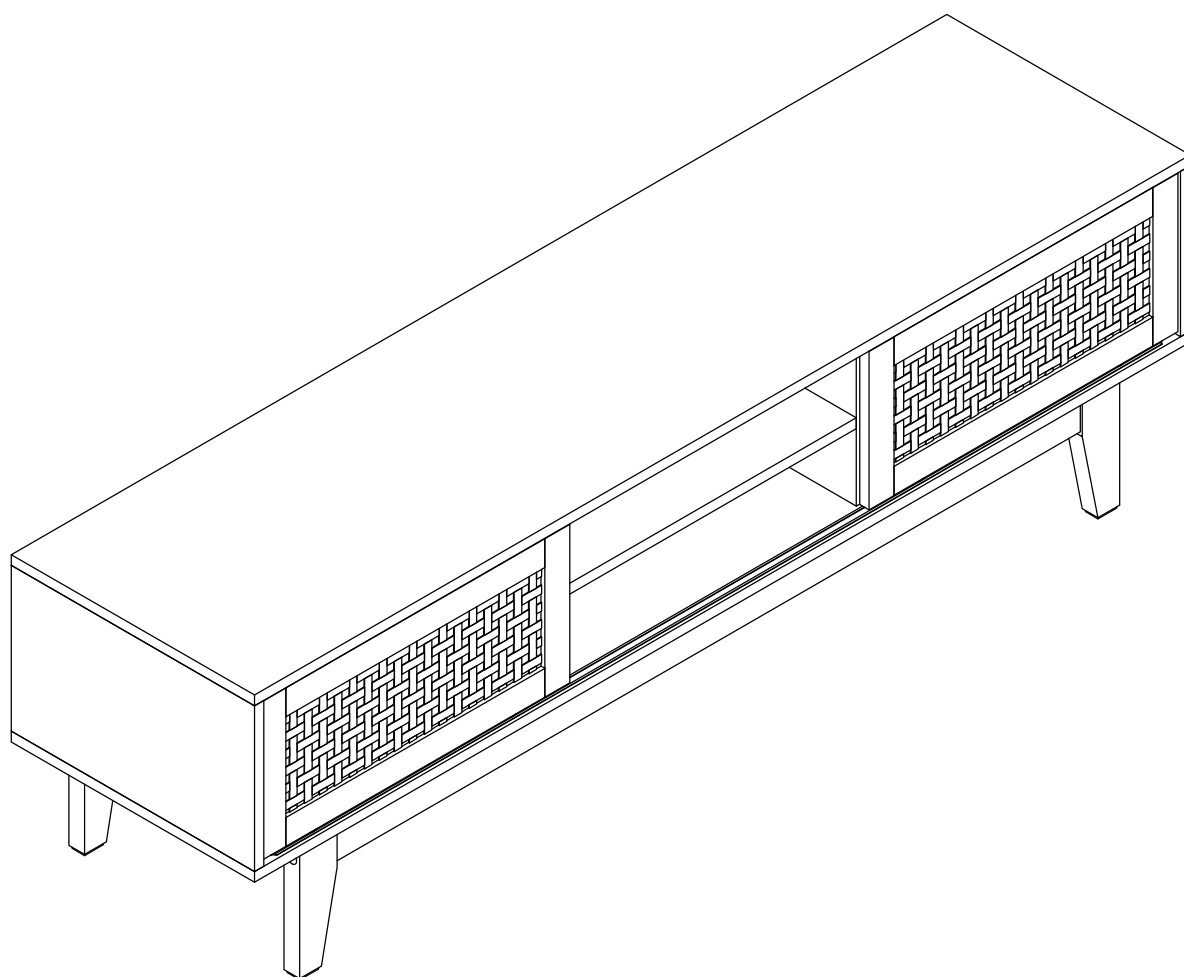
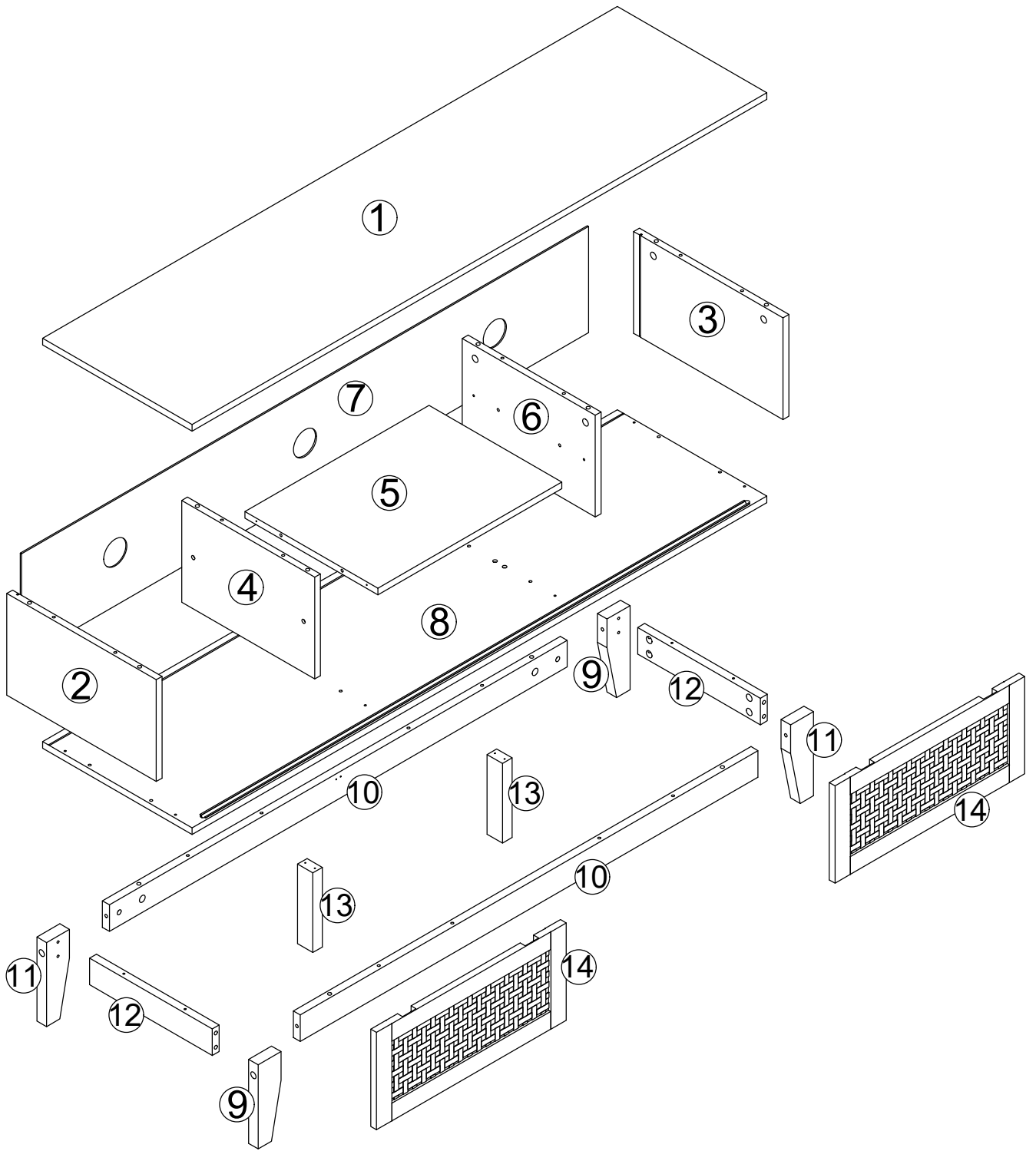
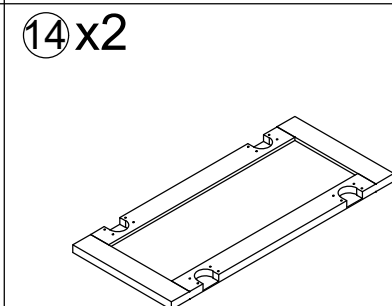
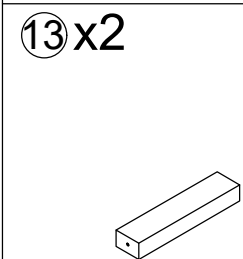
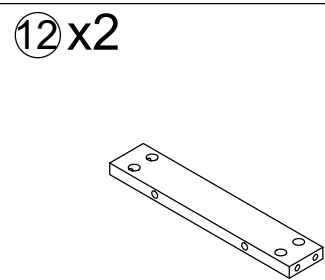
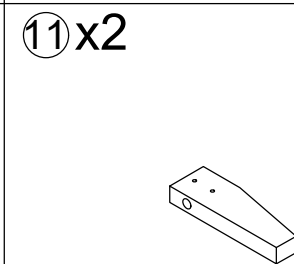
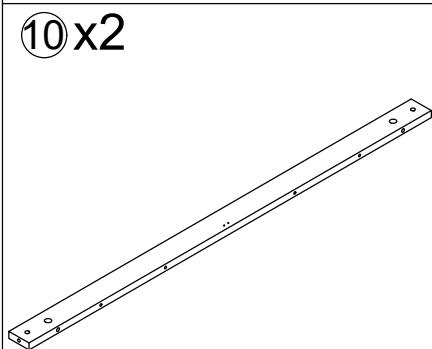
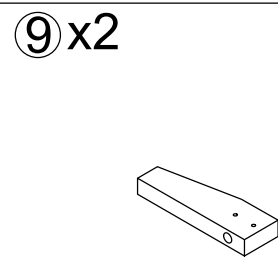
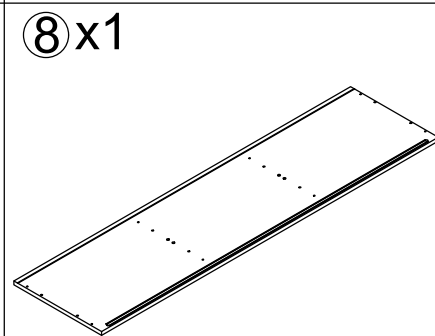
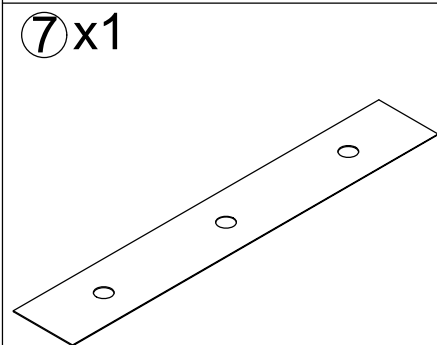
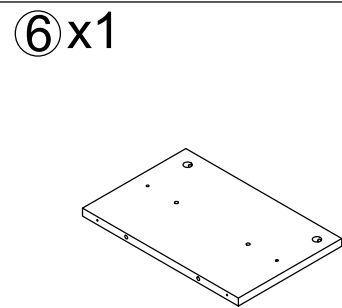
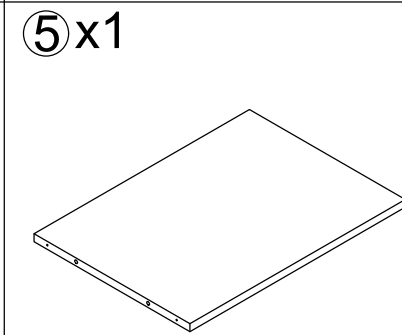
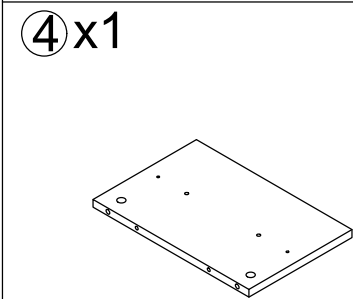
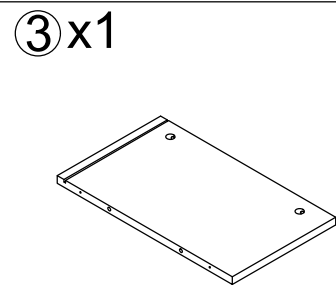
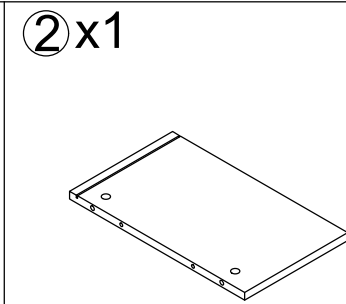
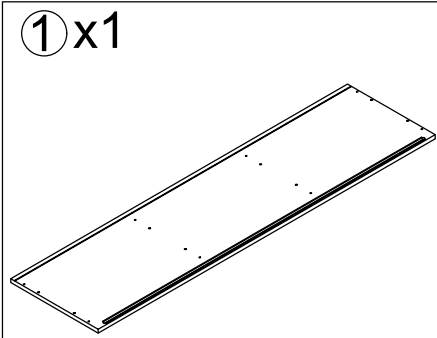


NFN051NL

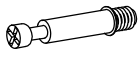


CAUTION:When tightening the screws,tighten sequentially.Do not tighten any screws fully and then towards the next one.When every part is OK, then tighten all the screws.





A X20(+1)



Ø6x35mm

B X20(+1)



Ø15x10mm

C X28(+2)



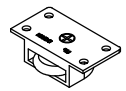
Ø6x30mm

D X16(+1)

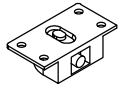


Ø4x35mm

E X4



F X4



G X32(+2)



H X2



I X8



J X4



Ø6x80mm

K X4



Ø10x10mm

L X10(+1)



M X10(+1)

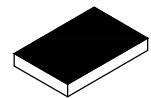


Ø3x16mm

N X2



O X4

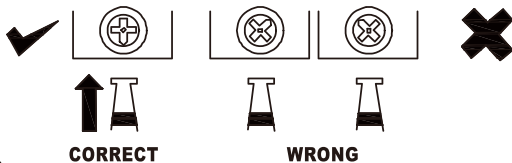


P X4

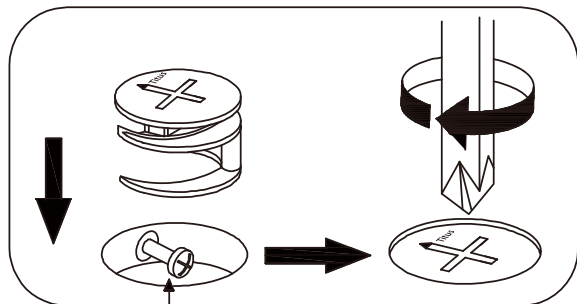
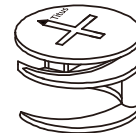


SPECIAL TIPS FOR FITTING CAM-LOCKS AND QUICKFIT

WHEN FITTING CAMLOCK
ENSURE STARTING POSITION IS CORRECT
BEFORE YOU INSERT CONNECTING QUICKFIT
TURN CLOCKWISE UNTIL SECURE



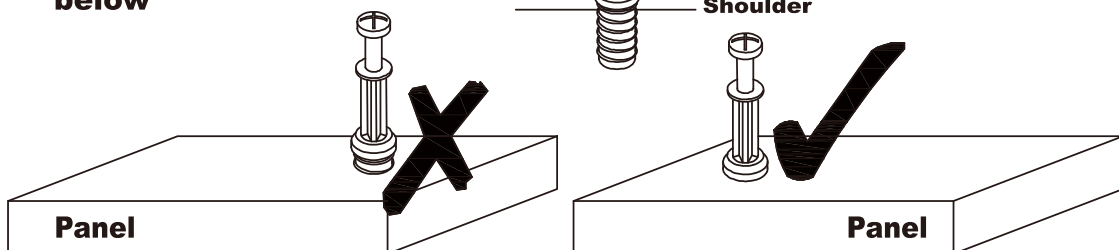
CAM-LOCK



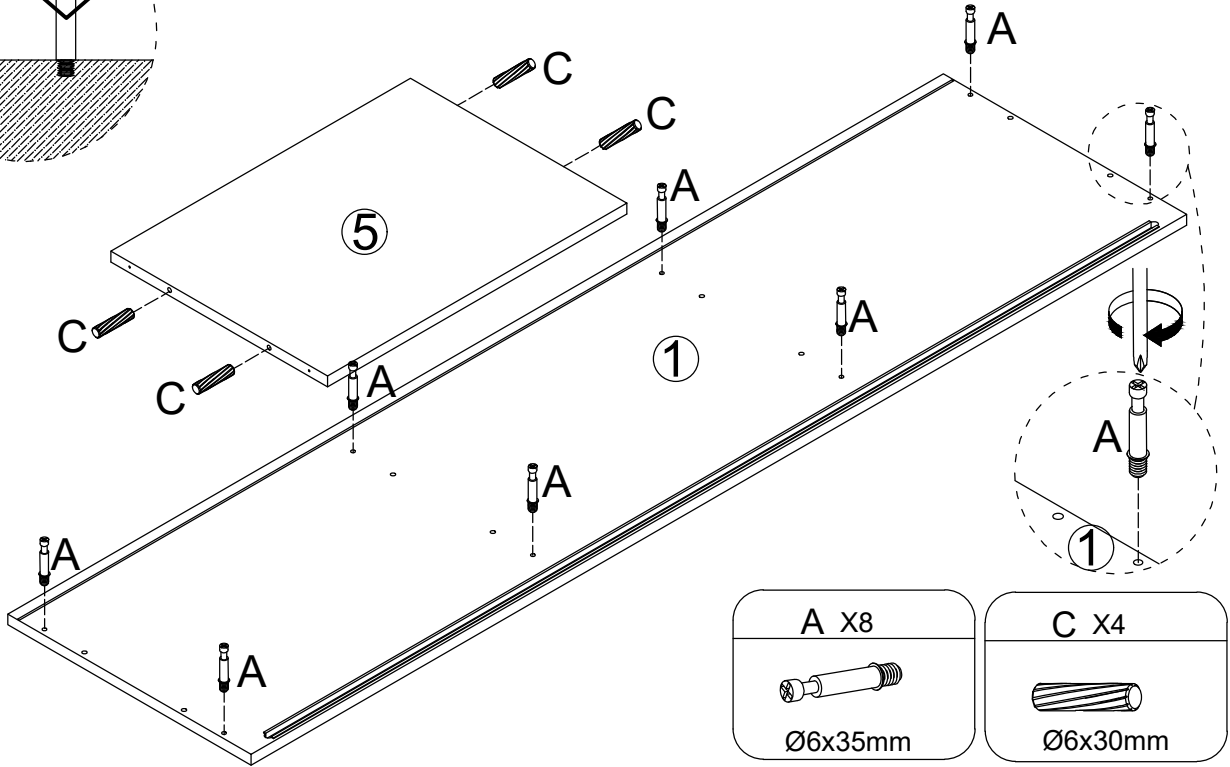
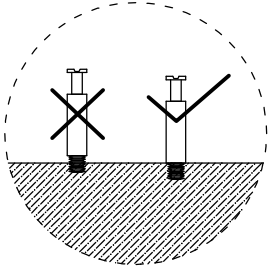
Quickfit head needs to be in centre

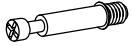
QUICKFIT


Tighten until shoulder is flush with panel. DO not overtighten or undertighten (see example below)



1



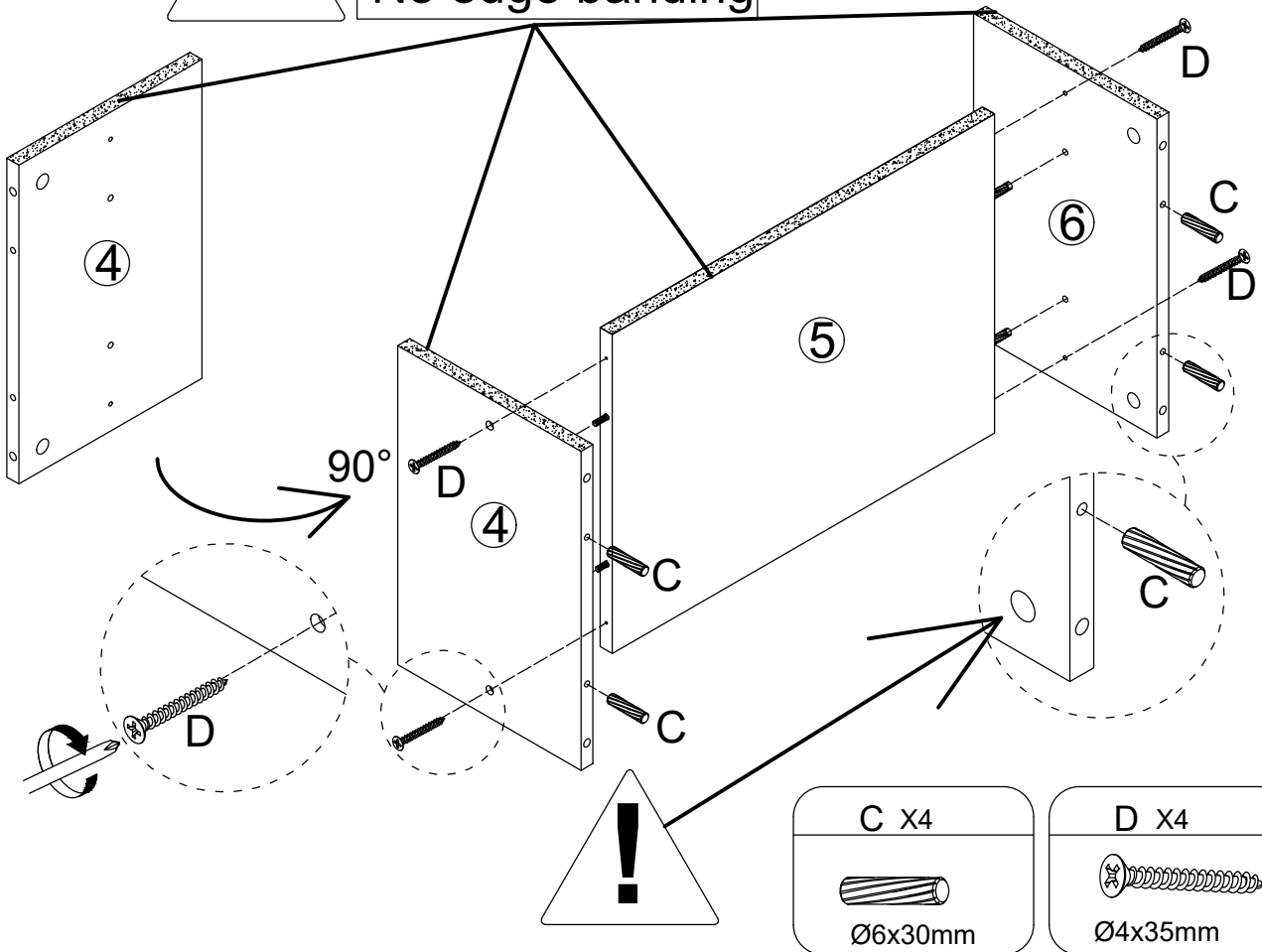
A X8

Ø6x35mm


C X4

Ø6x30mm


2

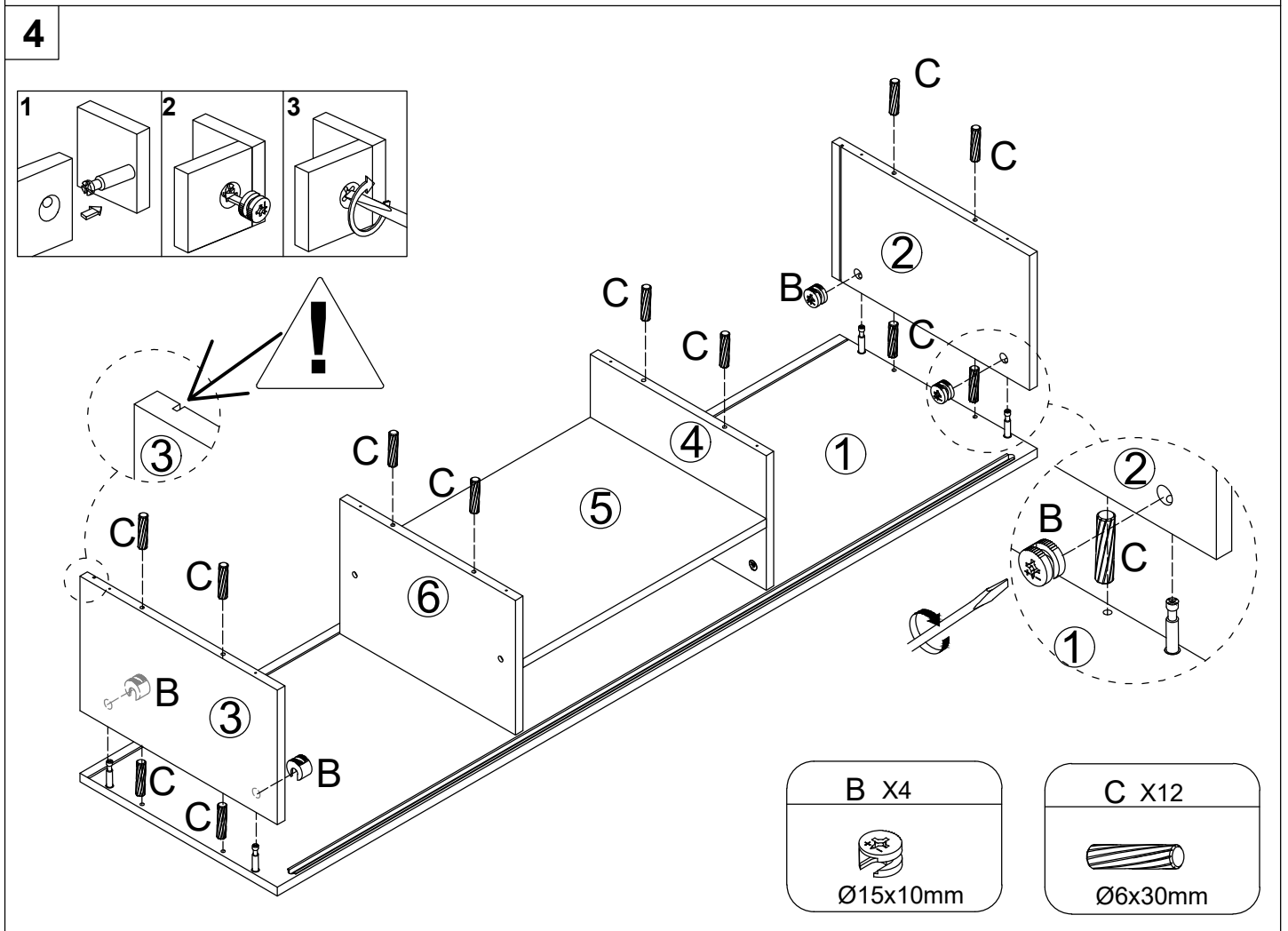
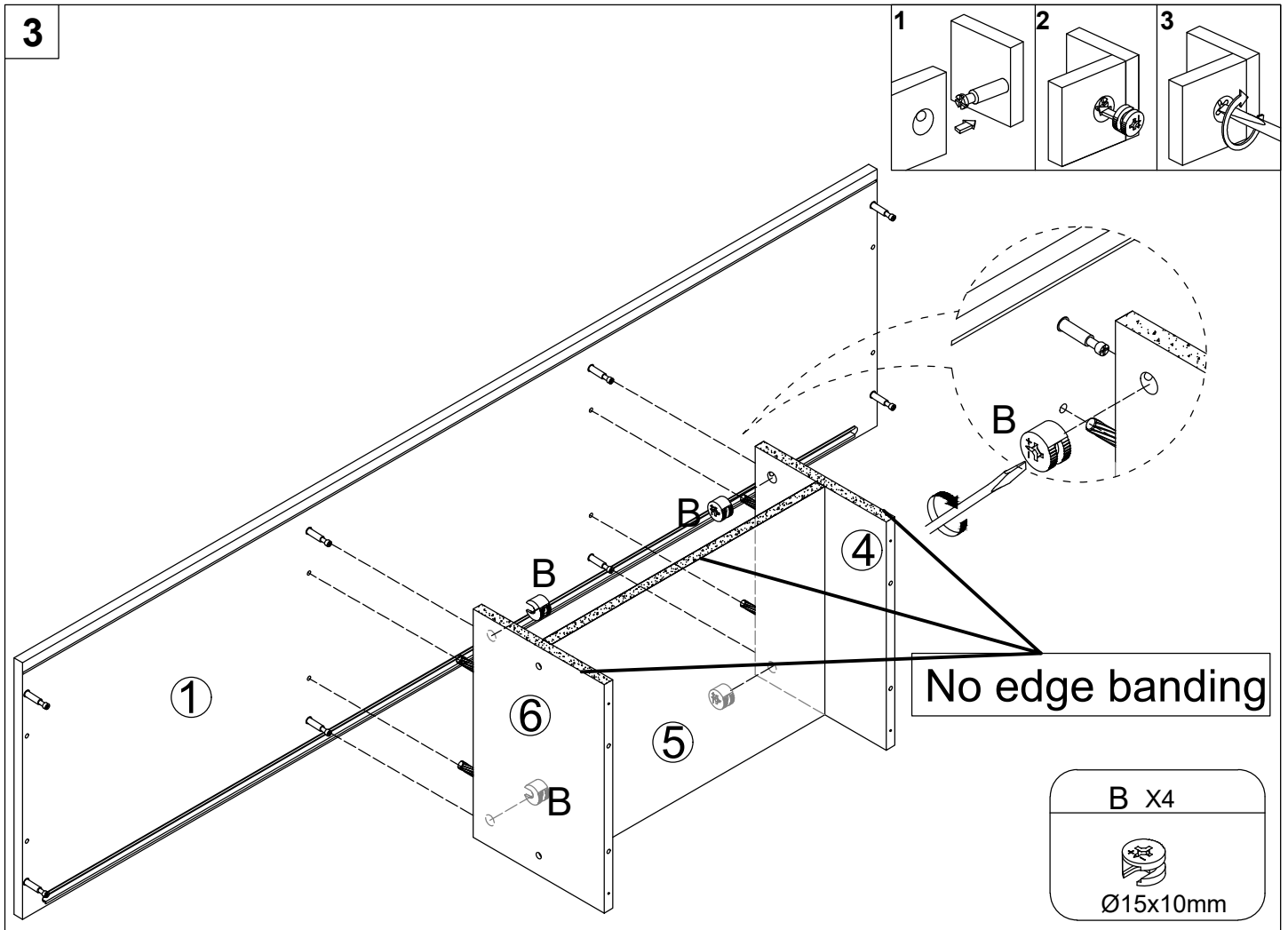


No edge banding

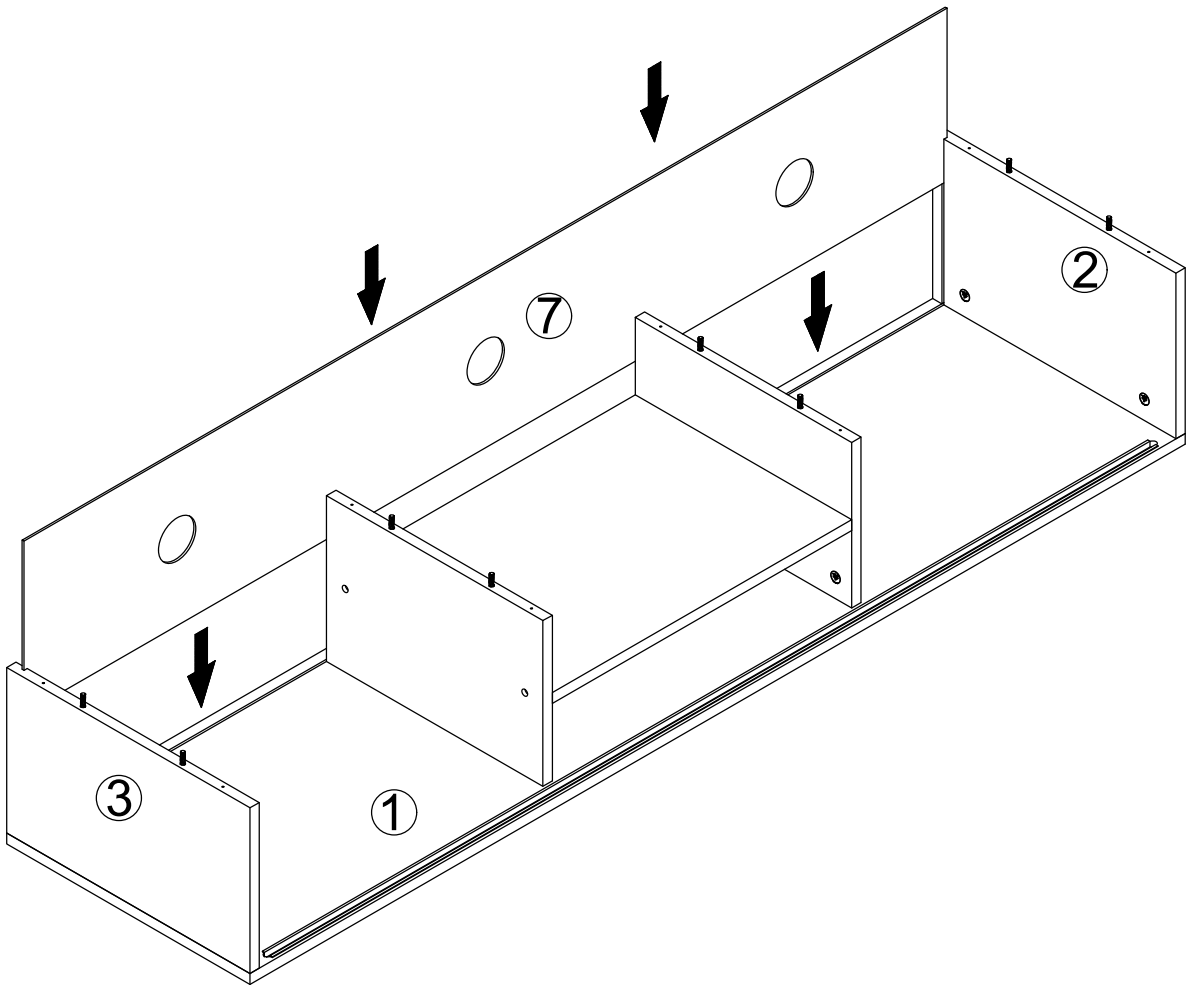


C X4

Ø6x30mm

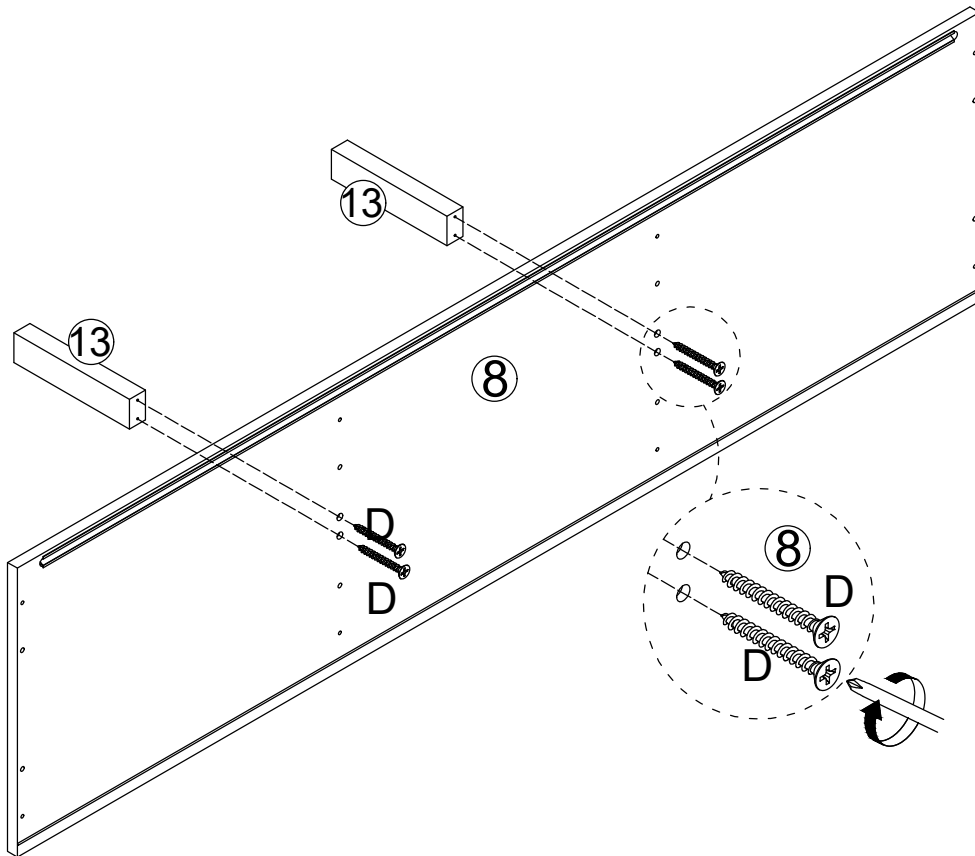
D X4

Ø4x35mm



5



6

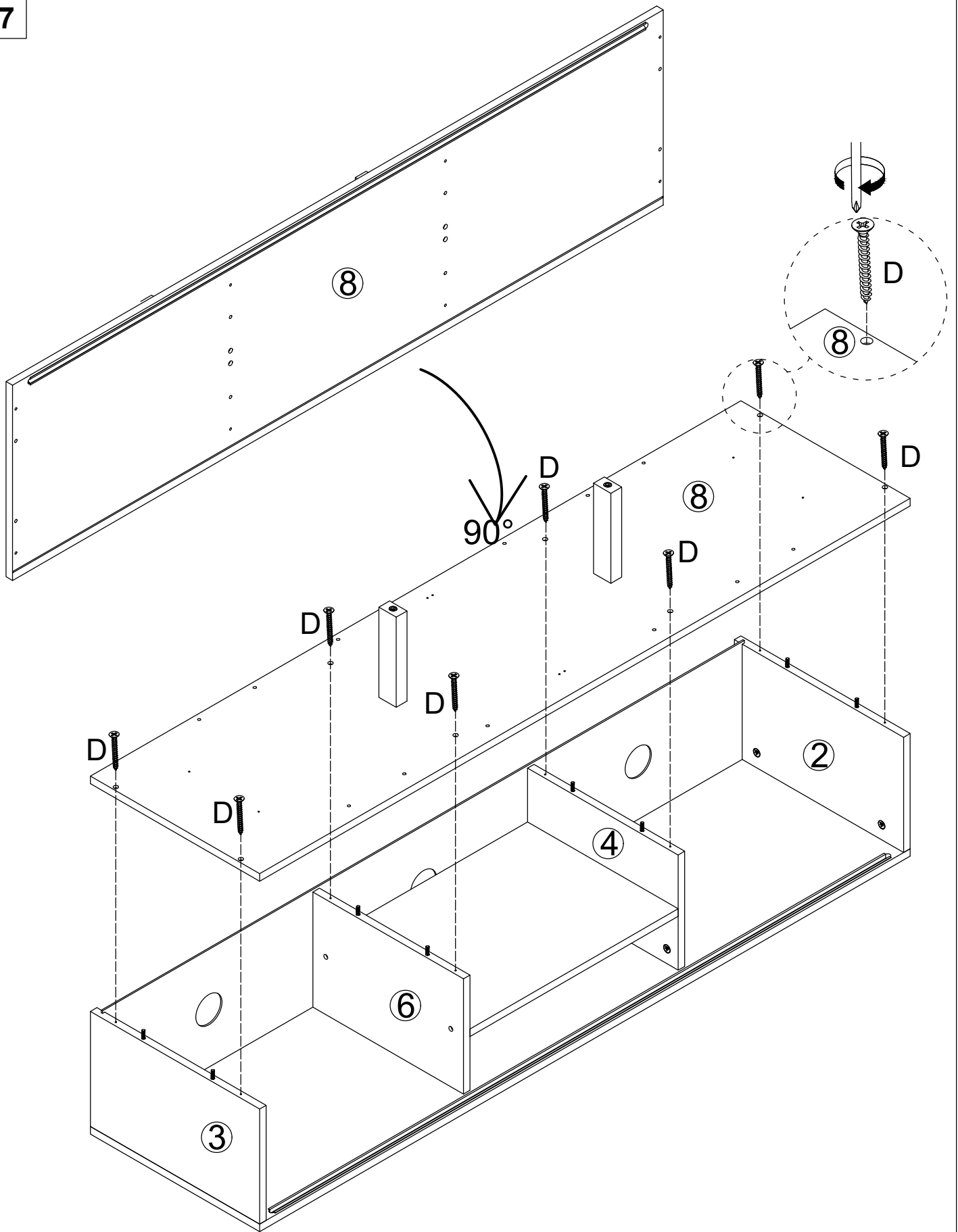



D X4



Ø4x35mm

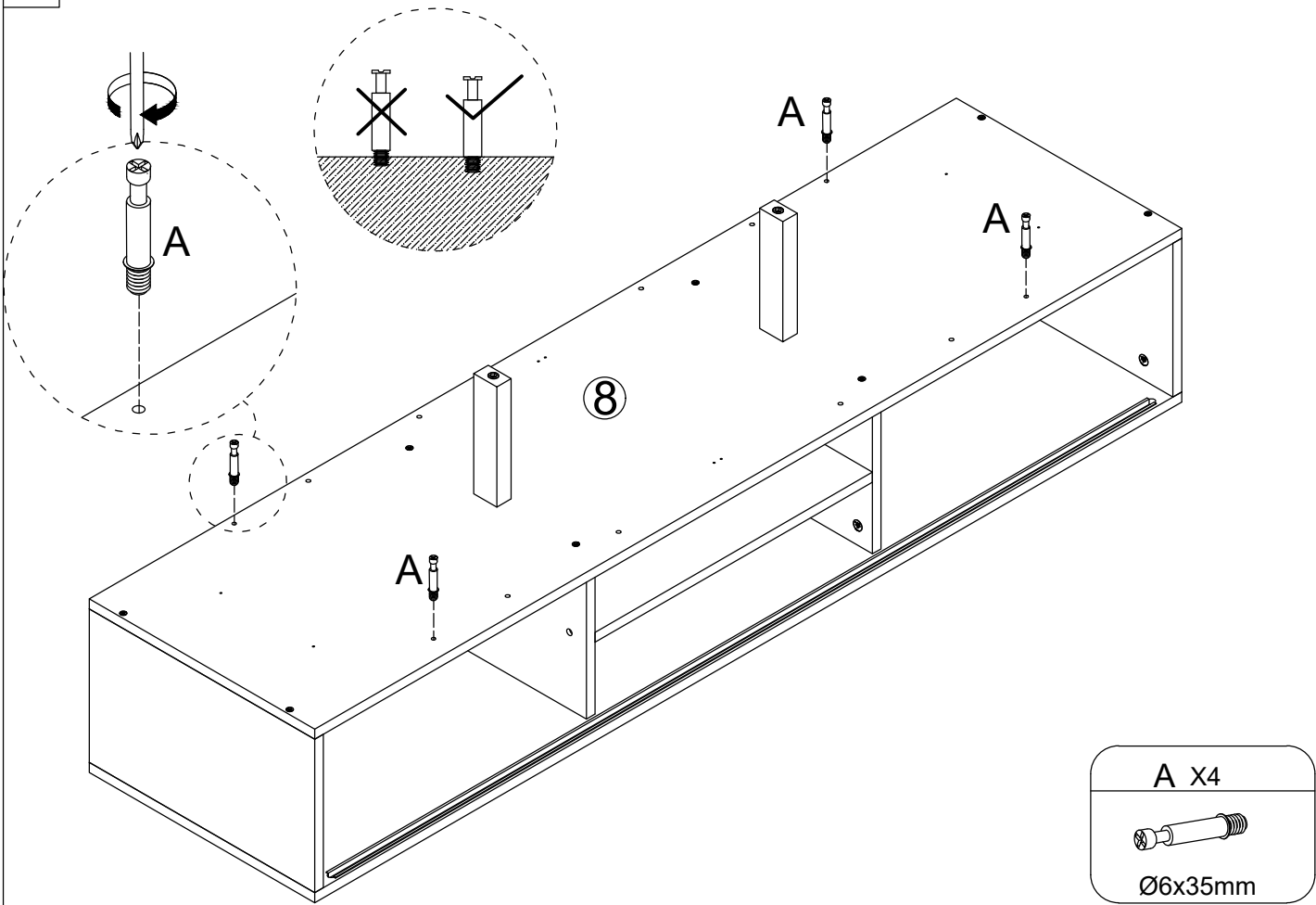
7



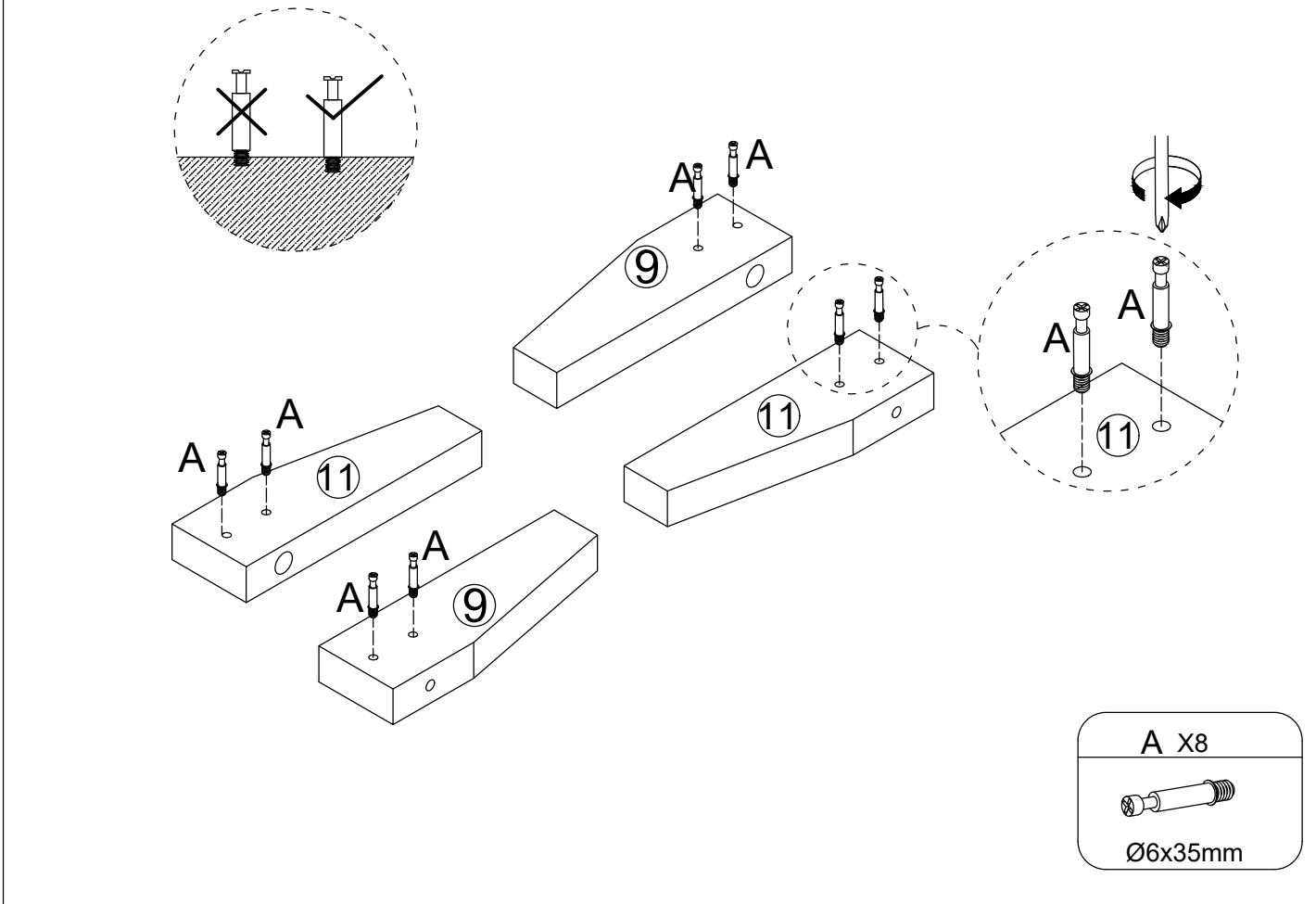
D X8

Ø4x35mm

8

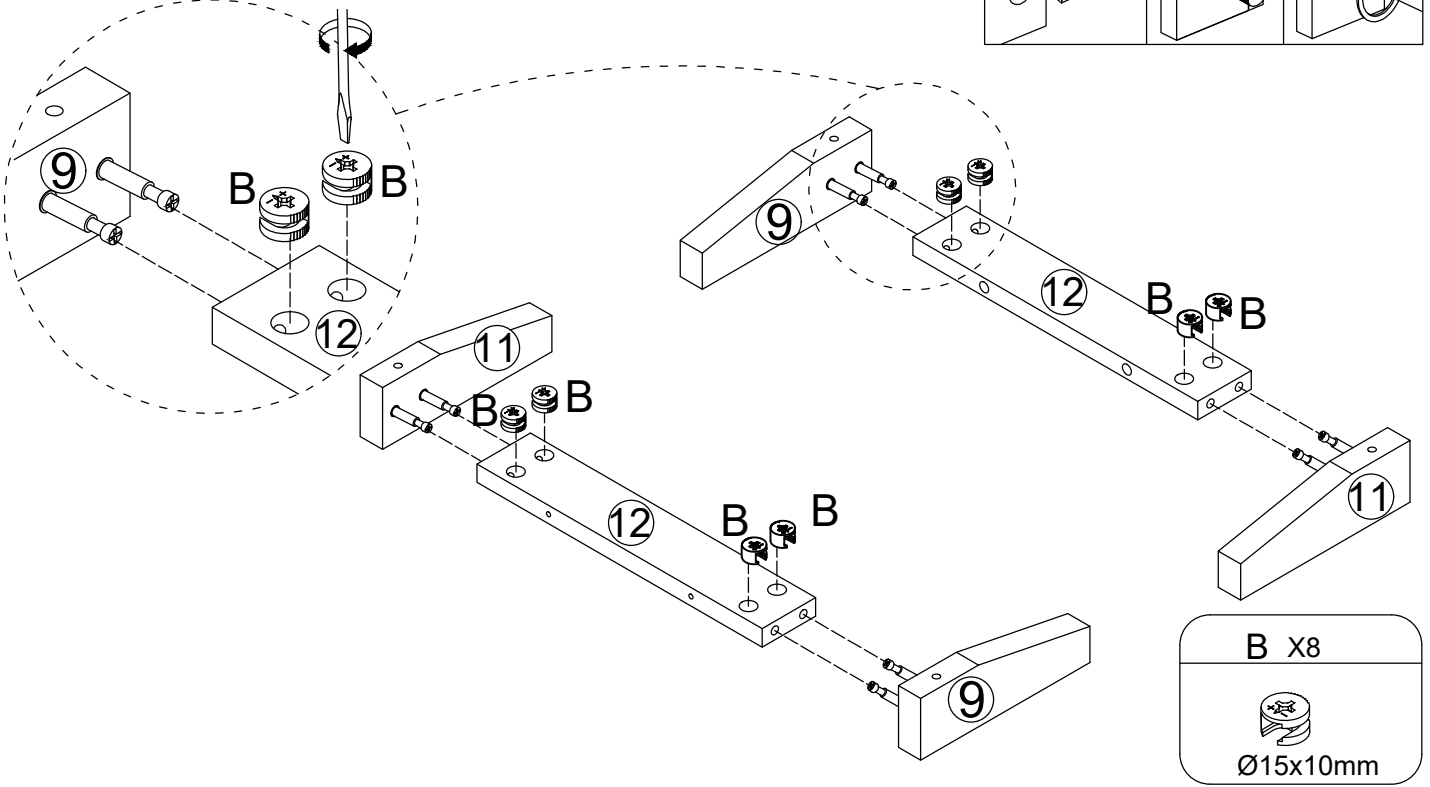
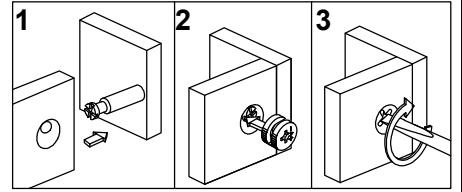
8




9

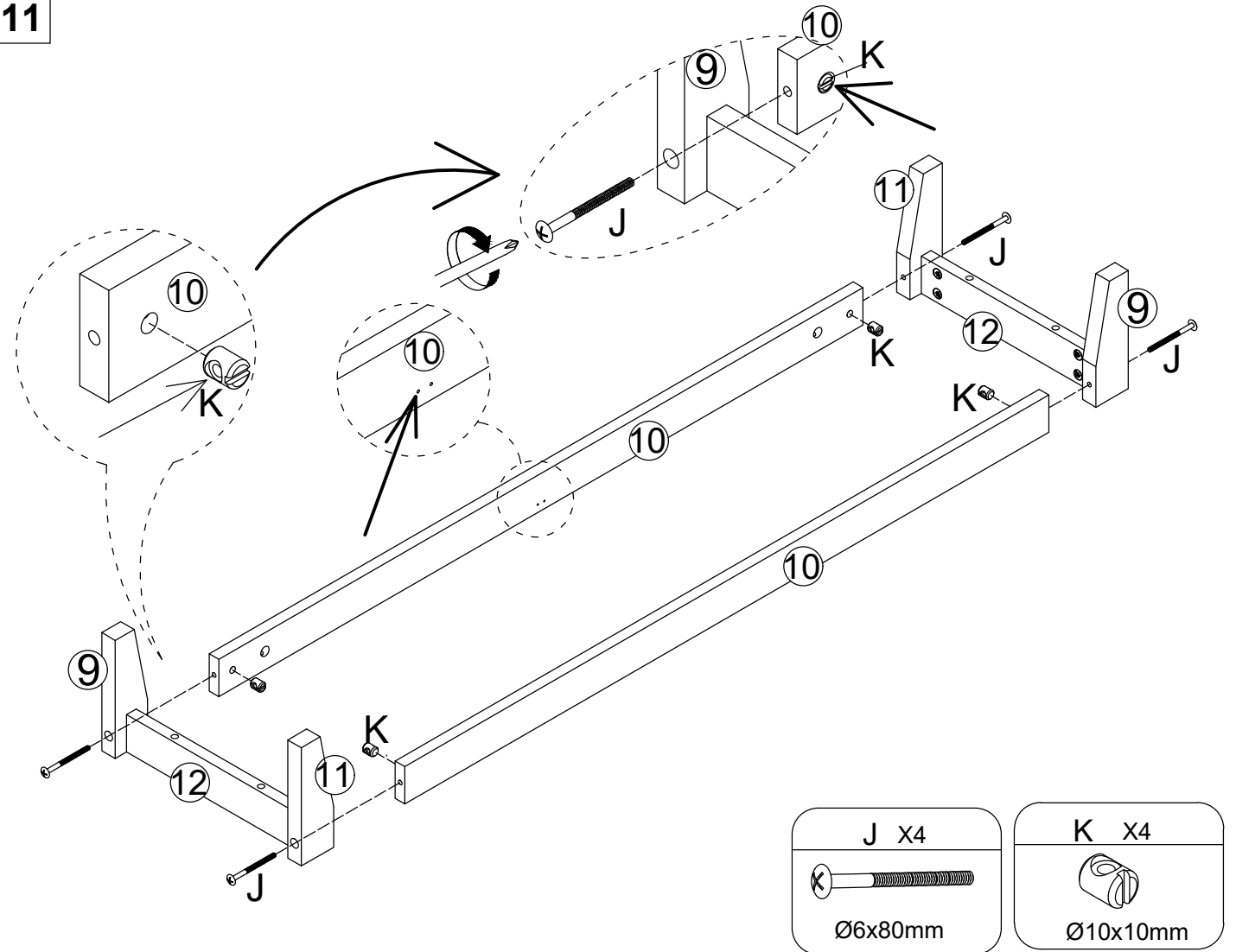



10




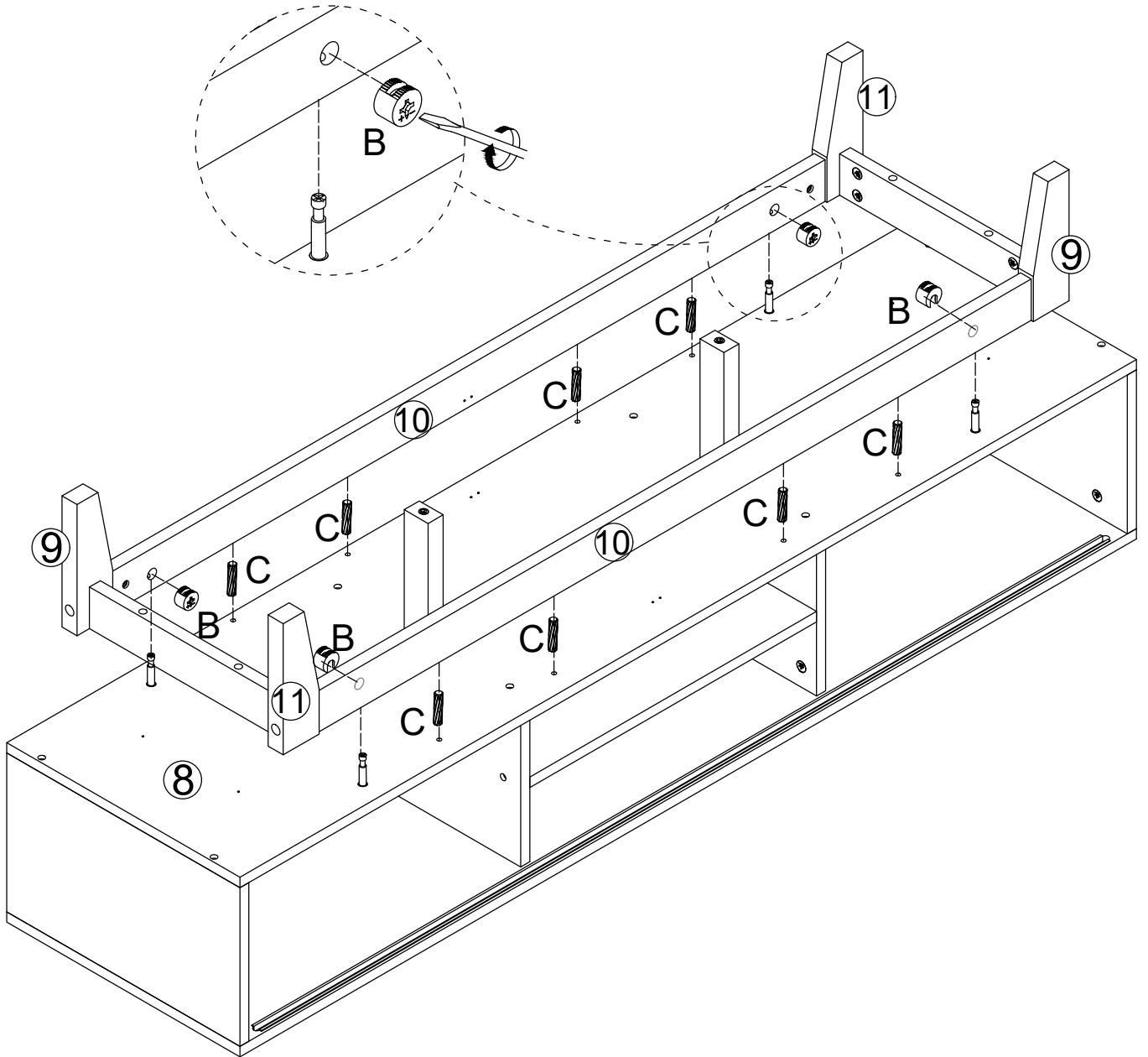
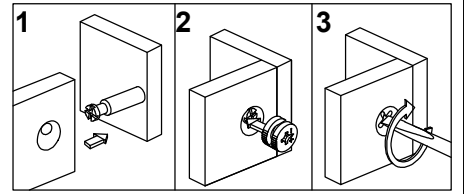
B X8

Ø15x10mm

11




J X4

Ø6x80mm

K X4

Ø10x10mm




B X4



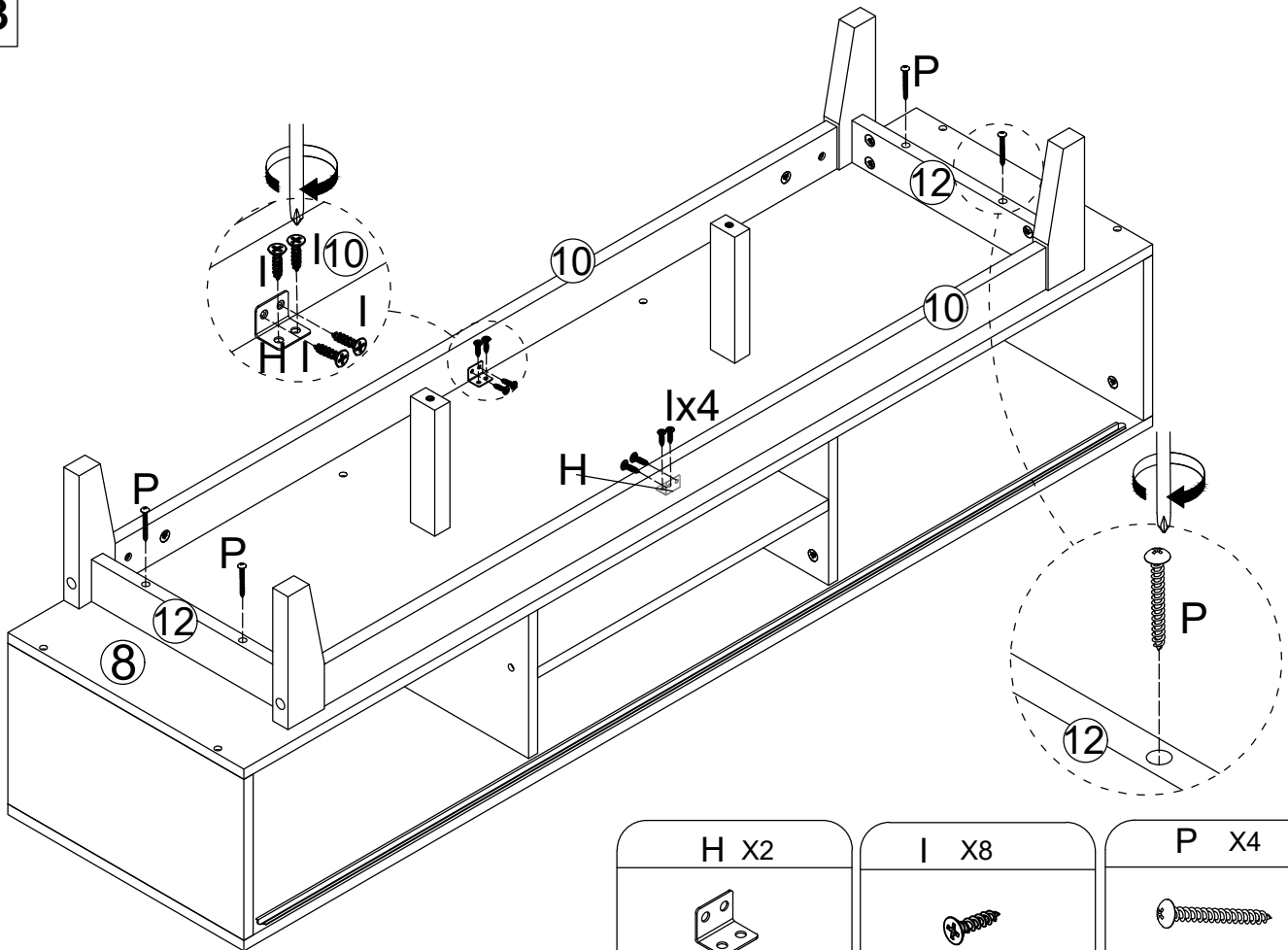
Ø15x10mm

C X8



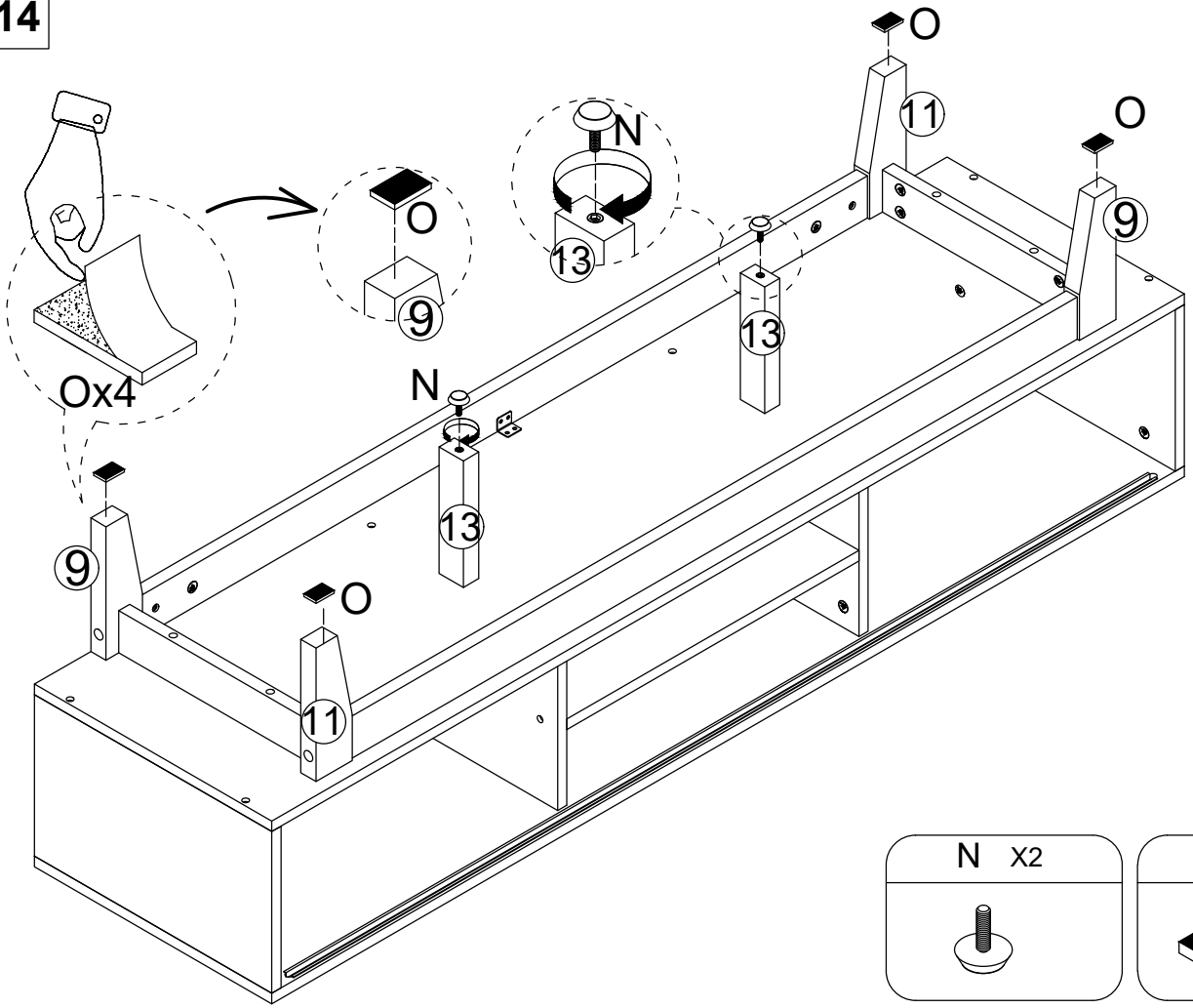
Ø6x30mm

13

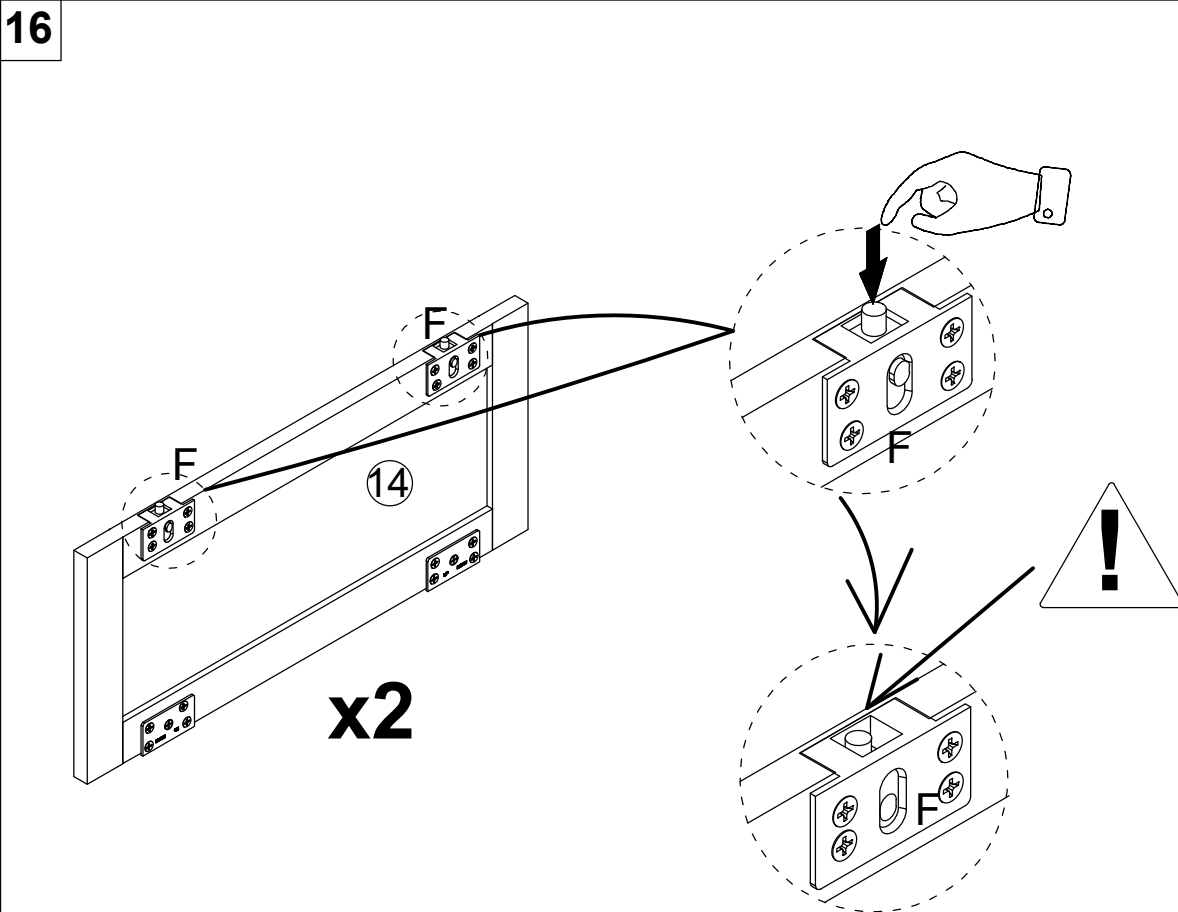
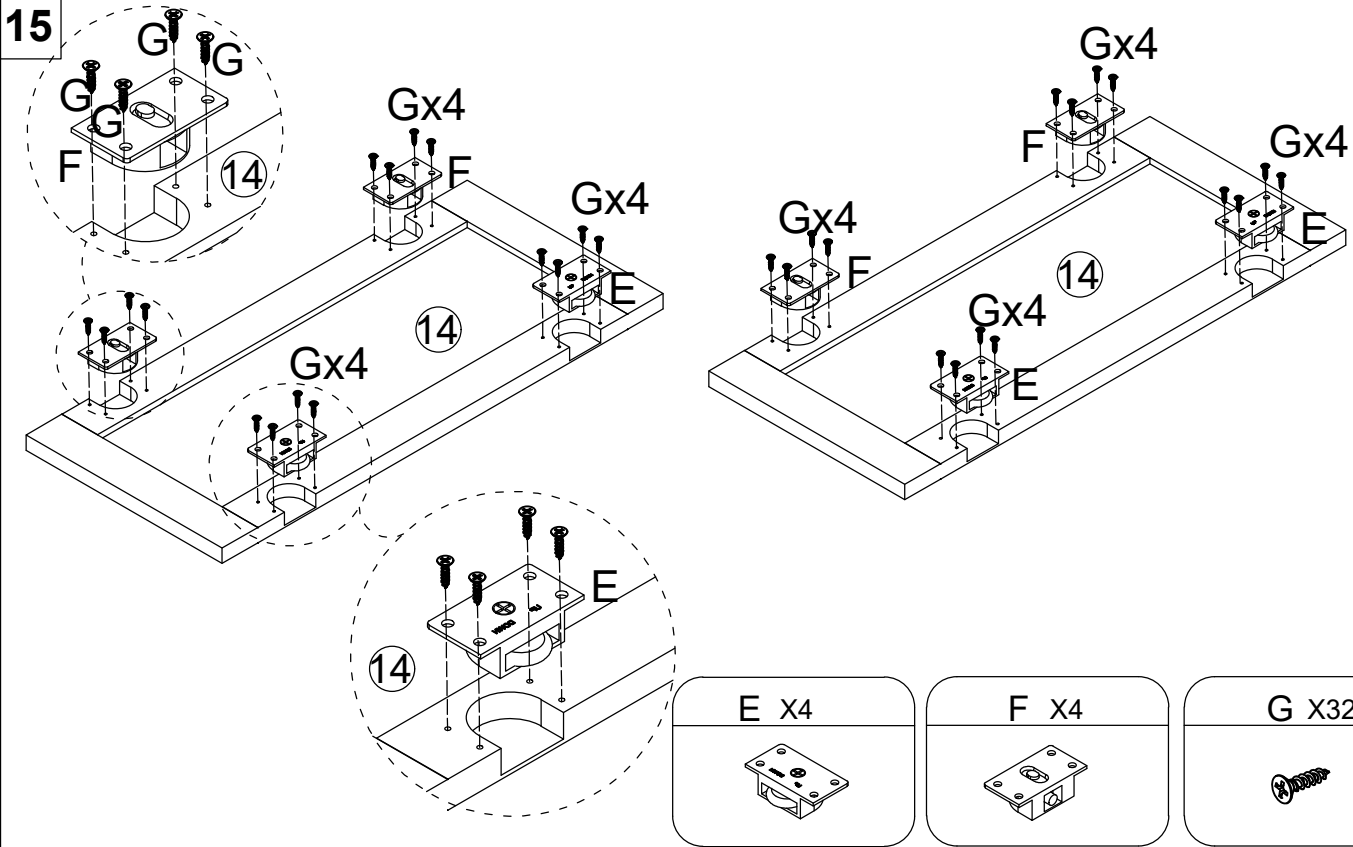


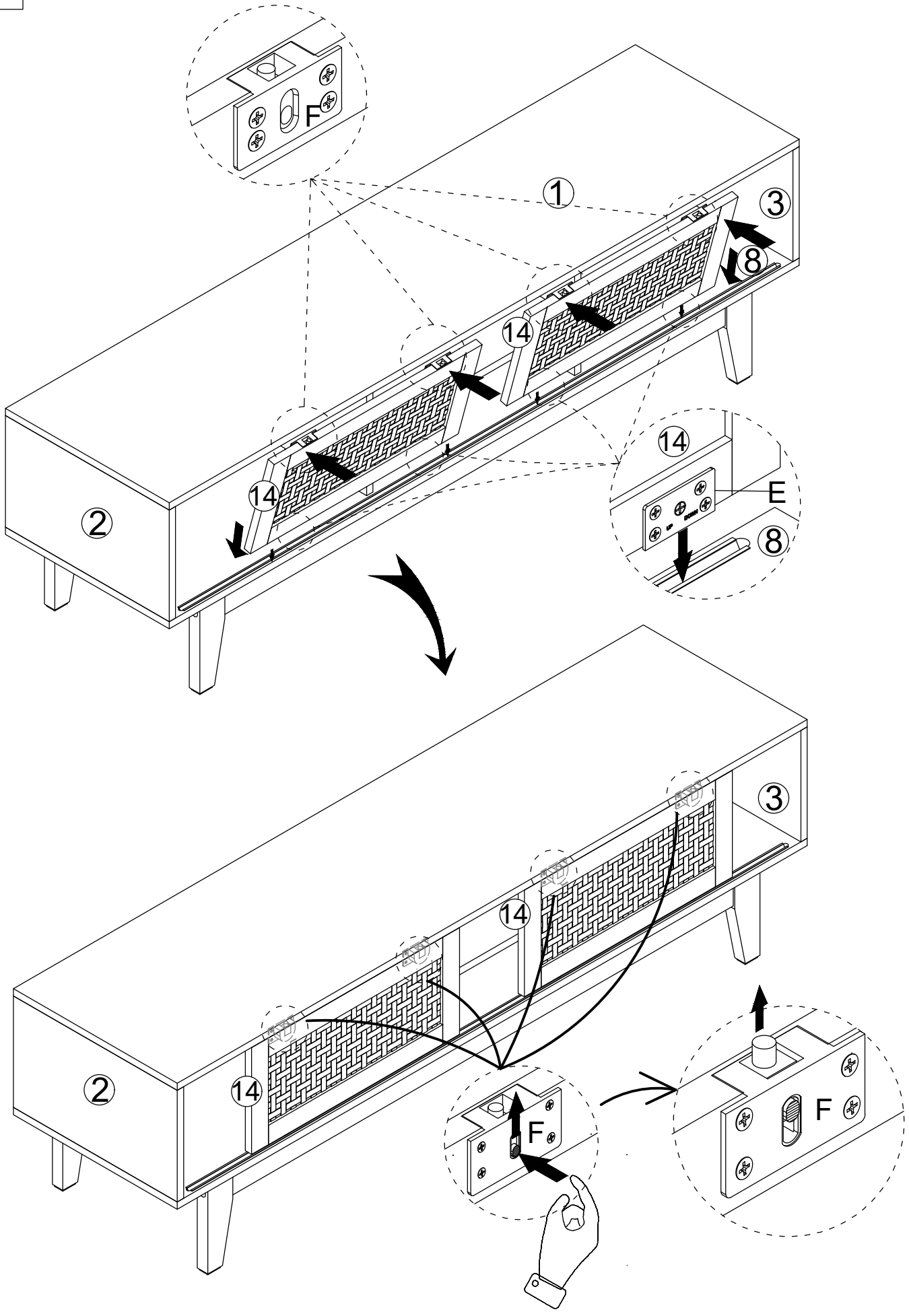
H X2	I X8	P X4

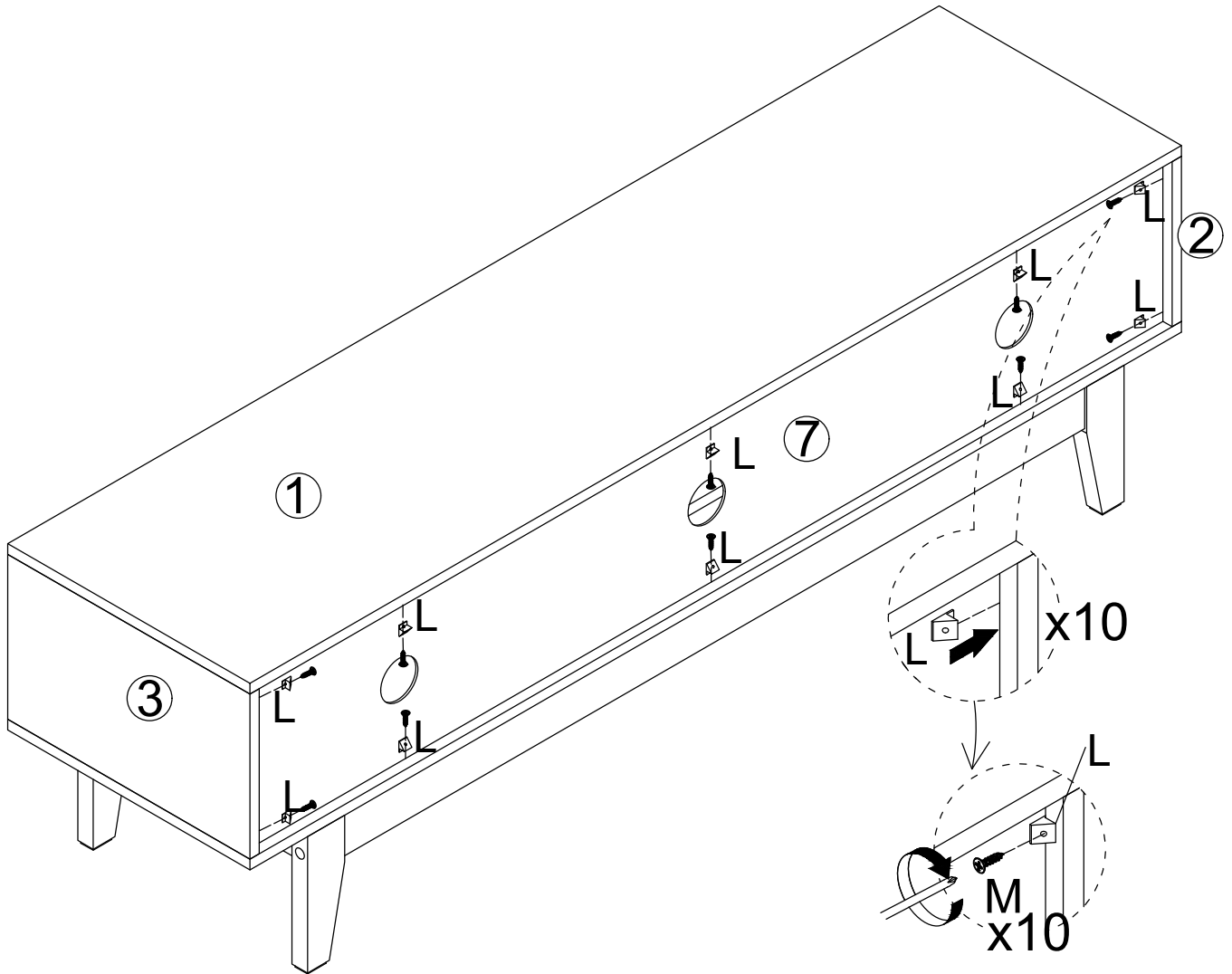
14



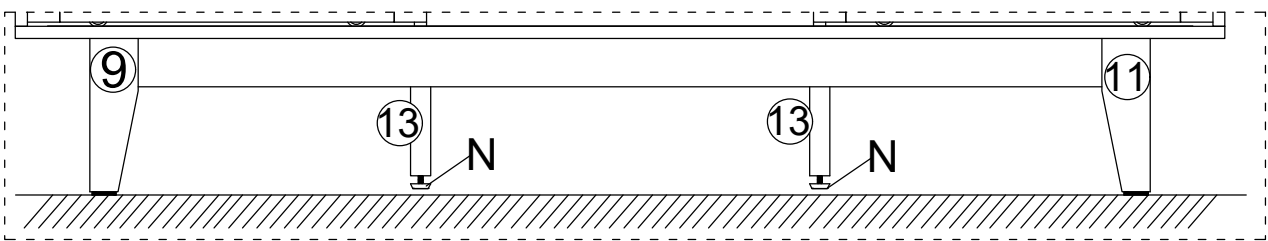
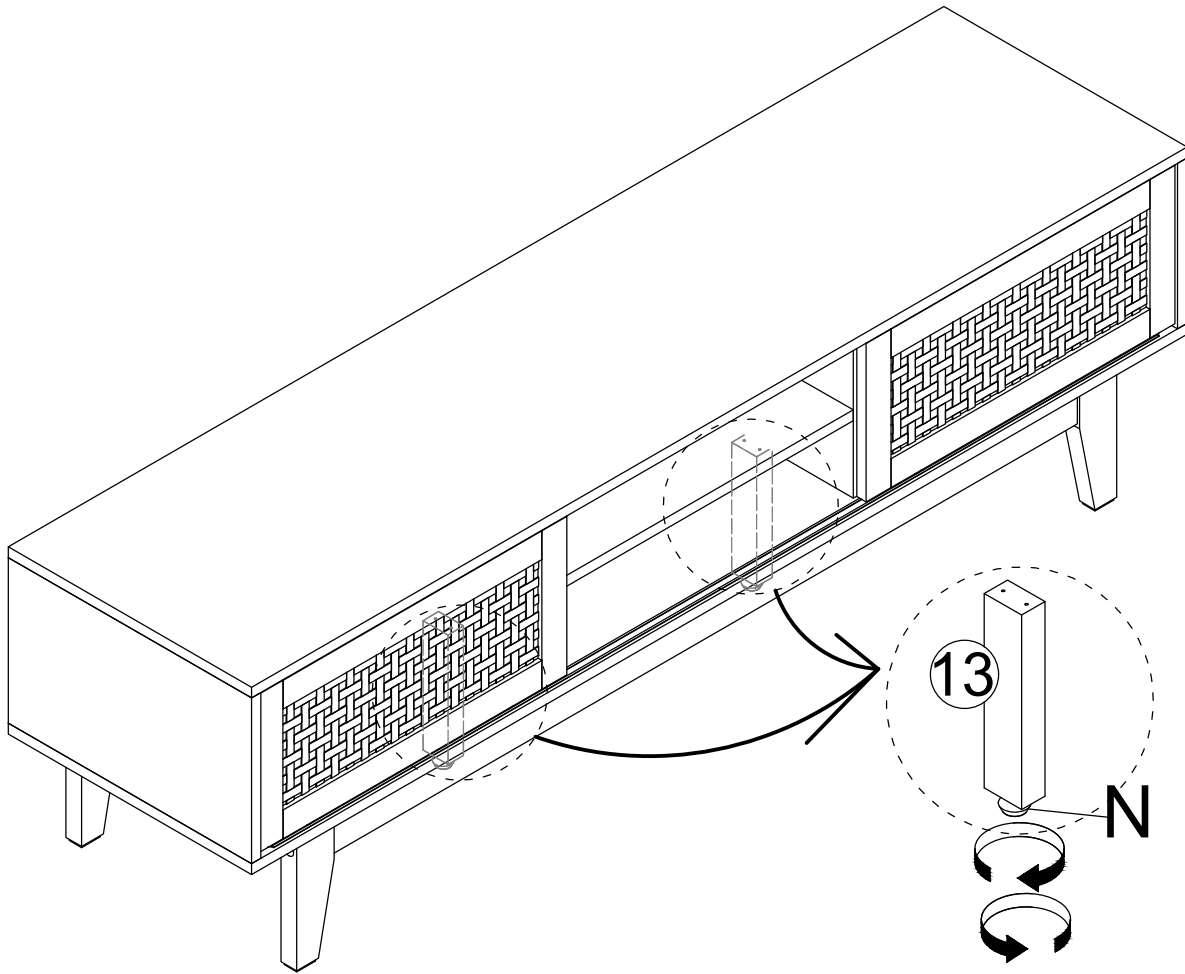
N X2	O X4







- L X10
- M X10
- Ø3x16mm



If the TV cabinet is unstable with the ground, please rotate the 13 # adjusting foot pad (N).

